

Electric tilting bratt pan constructed in AISI 304 stainless steel. Cooking tank with manual tilt mechanism, constructed in stainless steel, 600-litre capacity, rectangular in shape with radiused corners for ease of cleaning, bottom in 10mm thick Duplex.

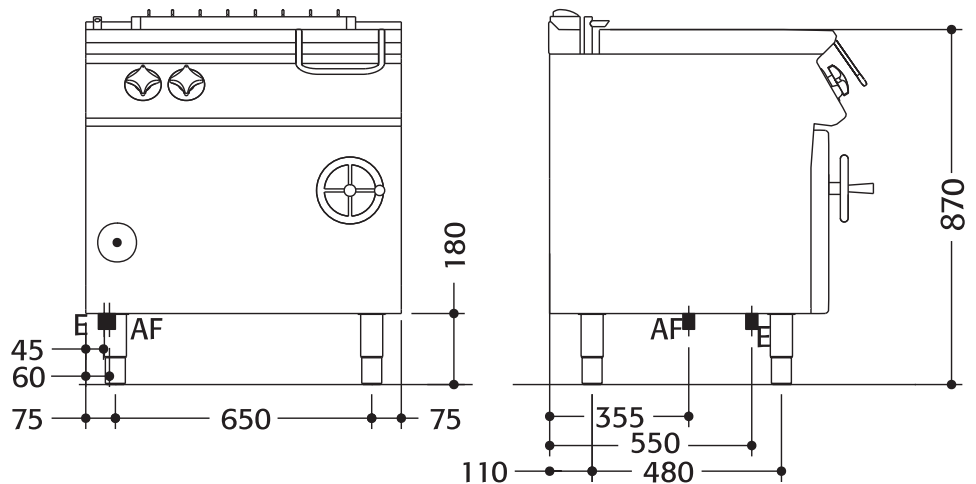
Designed for insertion of water filling kit operated by manual control with fixed water tap located on top. Double skinned lid with drip zone at rear for conveying condensate liquid into the pan, fitted with sturdy AISI 304 stainless steel hinges with spring balancing. Satin-finish AISI 304 tubular steel handle with front grip, joined to lid. Armored heating elements in Incoloy underneath the tank. Thermostatic temperature control from 100° to 280°C. Safety thermostat. Orange indicator light on control panel indicates appliance operation. Heating automatically turned off when pan is tilted. Height adjustable feet in stainless steel (850 - 900 mm).

STANDARD FEATURES

- 1.5mm thick pressed stainless steel tops
- Modular design
- Interlocking device supplied with all units

OPTIONAL FEATURES

- Castor kit
- Water filling kit



LEGEND

E = Socket

AF = Cold water

DIMENSIONS

External: 730D x 800W x 870H mm

Plate Dimensions: 410D x 726W mm

TECHNICAL DATA

Power Supply: 400V 3NAC 50Hz (Lead & Plug not included)

Total Output: 10kW

SHIPPING DATA

Net Weight: 123kg

Shipping Weight: 137kg

Shipping Dimensions: 830W x 840L x 1100H mm

Tank Dimensions: 540D x 770W x 200H mm

SPECIFICATIONS ARE SUBJECT TO CHANGE WITHOUT NOTICE.

