

Superior cooking results FAST!:

- Enhanced cavity airflow for perfect browning & crisping
- 3000W impingement enhances toasting and browning.
- Easily adjustable 0-100% fan speed.
- 95° - 270°C temperature range cooks a variety of items
- 1000 or 2000W top antenna feed microwave system heats quickly, reduces cooking time.

OPTIONAL FEATURES

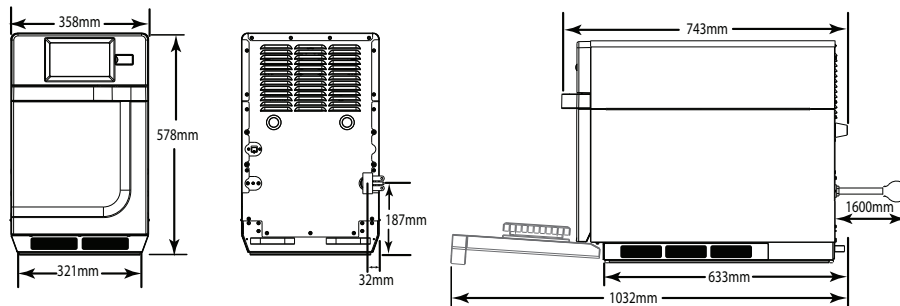
- Panini grill plate (RGR10)
- 102mm Leg kit (LG10)
- Compact oven paddle (PA10R)
- Non-stick baskets (TB10, SB10, TB10S, SB10S)
- Back Cover Panel (BC10R)
- Stainless dual-oven stacking cart (SC10R)
- Stainless cart/equipment stands: (CA24, CA30)

Minimized footprint, maximized cavity design:

- Compact footprint fits on 71cm (28") deep counter.
- Flexibility to install with or without 10cm (4") leg kit
- Easily accommodates a 30cm (12") pizza

STANDARD FEATURES

- Cook plate (CP10)
- Oven paddle (PA10)
- Non-stick liners (TL10R)



DIMENSIONS

External dimensions: 358W x 743D x 578H mm

Internal cavity: 312W x 312D x 178H mm

POWER SUPPLY

415V 50Hz, 3 phase, 20A plug

TECHNICAL DATA

Power output:	5450W Total 3000W Impingement, 2000W Microwave
Internal cavity volume:	17.2 litres
External cabinet finish:	Stainless steel & Painted Steel
Internal cavity finish:	Stainless steel & Teflon liner (replaceable)
Memory programs:	1200+
Power levels:	11
Product weight:	61kg
Shipping weight:	69kg
Magnetrons:	2
Clearance:	51mm top & 13mm sides

SPECIFICATIONS ARE SUBJECT TO CHANGE WITHOUT NOTICE.