

The RMS510TSAA is a commercial microwave for light duty food service usage.

Light Duty Microwaves are an ideal replacement for inappropriate domestic ovens used in foodservice applications.

Tested to higher standards for a commercial rating – required by most commercial insurance policies and health inspectors.

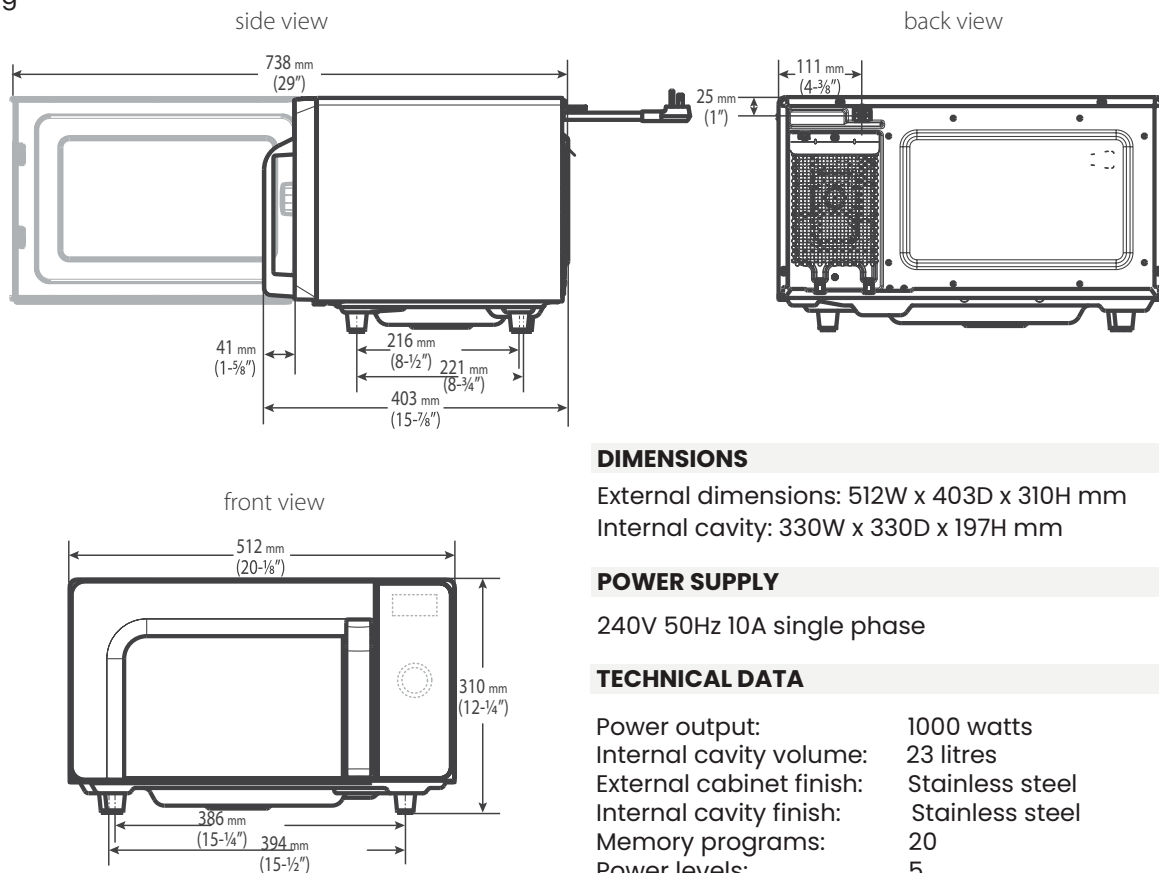
20 programmable menu items simplifies cooking.

5 power levels and 4 cooking stages for cooking flexibility.

Multiple quantity pad calculates the proper cooking times for multiple portions.

IDEAL FOR:

- Convenience Stores
- Dessert stations
- Nurses stations
- Coffee shops
- Teachers/Staff lounge
- Vending



DIMENSIONS

External dimensions: 512W x 403D x 310H mm

Internal cavity: 330W x 330D x 197H mm

POWER SUPPLY

240V 50Hz 10A single phase

TECHNICAL DATA

Power output:	1000 watts
Internal cavity volume:	23 litres
External cabinet finish:	Stainless steel
Internal cavity finish:	Stainless steel
Memory programs:	20
Power levels:	5
Product weight:	13.6 kg
Shipping weight:	16.8kg
Magnetrons:	1

SPECIFICATIONS ARE SUBJECT TO CHANGE WITHOUT NOTICE.