

The Premier series of benchtop vacuum packaging machines offers the ultimate in vacuum sealing technology all incorporated as standard into one unit.

STANDARD FEATURES

- Stainless steel housing and deep-drawn vacuum chamber for optimal hygiene
- Removable wireless sealing bar
- Insert plates for adjusting vacuum chamber height
- Vacuum - Optimal final vacuum 99.80% (2 mbar)
- Soft-air - Controlled ventilation for protection of product and packaging
- 2 x 3.5mm seal wires for an extra-strong double seal
- Sensor Control - Set percentage pressure for vacuum and gas functions for accurate and constant packaging results / Automatic programming / 10 default programs / Vacuum plus time / Liquid Control
- Stop button for partial/full cycle interruption
- Digital maintenance program for pump / Operating hours counter / Service indicator programs / Sleeper function etc
- Service kit for user maintenance

OPTIONAL FEATURES

- Inclined insert plate for packing liquid products
- Trolleys with 3 shelves and lockable castors
- Gas-flush - Injecting food-gas for product protection and longer shelf life



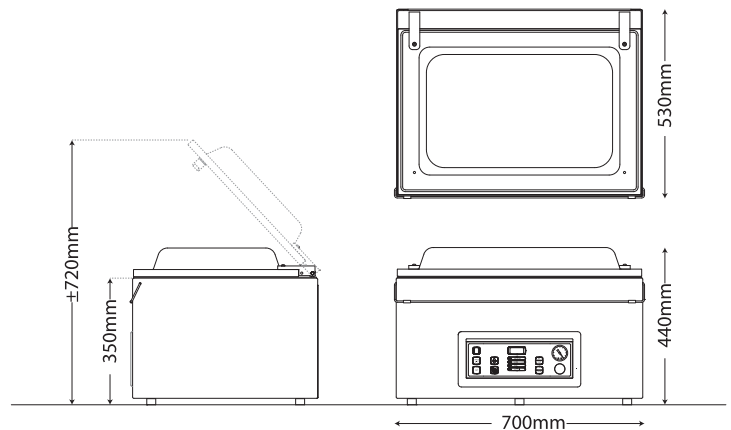
DIMENSIONS

External dimensions: 700W x 530D x 440H mm
 Chamber: 520W x 410D x 185H mm
 Sealing Bar: 2 x 410mm

TECHNICAL DATA

Power supply: 240V, 50Hz, Single Phase
 Power output: 1.0kW
 Capacity/pump: 21 m³/h
 Machine cycle: 15-35 seconds
 Weight: 66kg

SPECIFICATIONS ARE SUBJECT TO CHANGE WITHOUT NOTICE.



Busch vacuum pumps, world leaders in vacuum pump technology.



Two years parts & labour warranty