



# The Quiet One<sup>®</sup> 220V-240V On-Counter

#050031

## Diagrams and Parts List

For ordering and additional information contact:

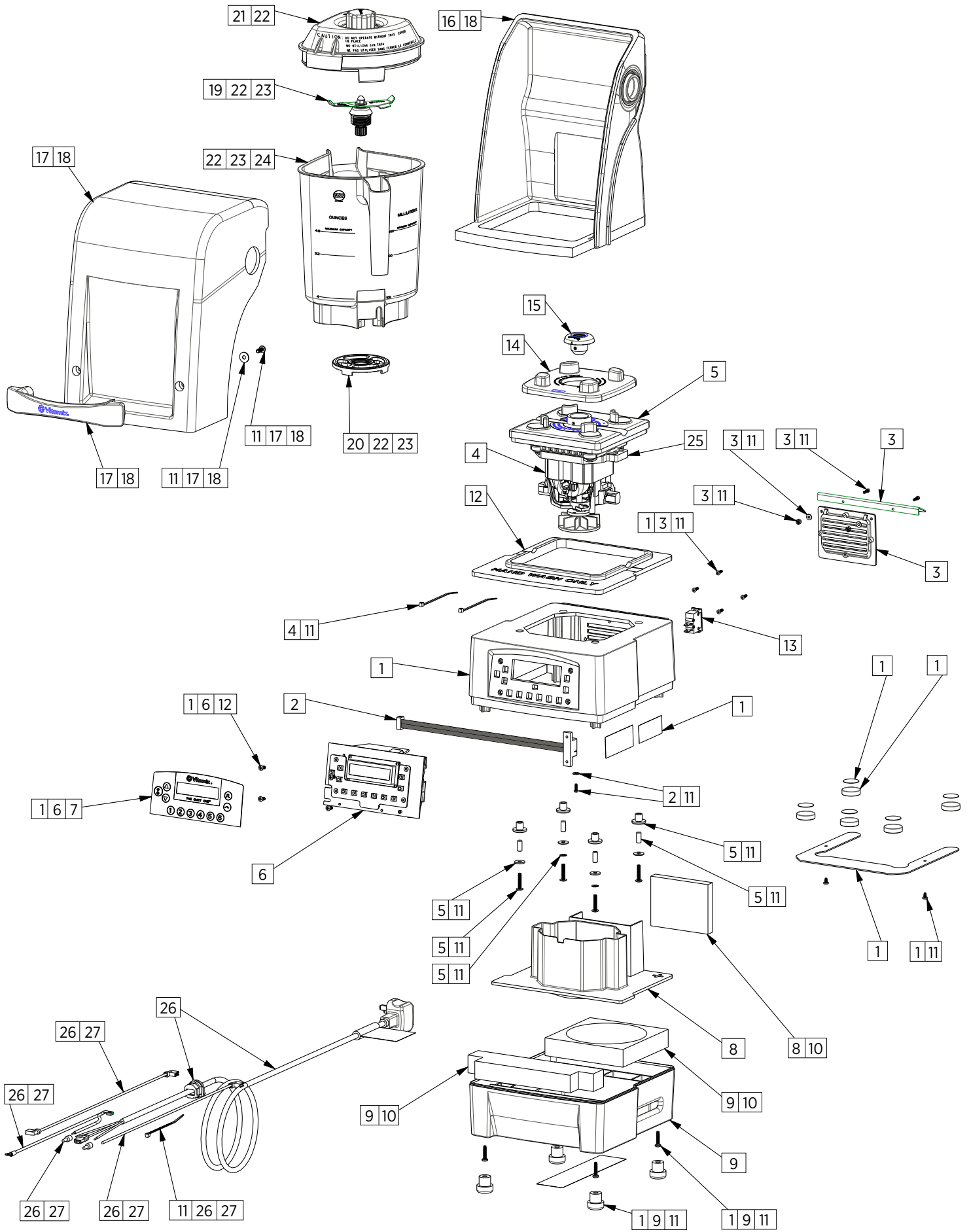
---

**Vita-Mix<sup>®</sup> Corporation**  
**Commercial Division**

8615 Usher Road, Cleveland, Ohio 44138 U.S.A.  
Tel: 440.235.0214 Email: [commercial@vitamix.com](mailto:commercial@vitamix.com)

©2011 Vita-Mix Corporation. No part of this publication may be reproduced or transmitted in any form or by any means or stored in a database or retrieval system without the written permission of the Vita-Mix Corporation.

Printed in the U.S.A. 07/11



Kit Item Ref. #	Kit #	List Price	Distributor Price	Kit Name	Qty./Kit	Part Name (Description)
1	015310	\$234.65	\$100.31	TQO Upper Housing Assembly International (With Magnets and Retention Plate)	1	TQO Universal Upper Housing
					5	Magnet, 1" Dia X 1/4" Thick
					5	Tape-2 Sided-7/8 Diameter
					1	Magnet Retention Plate
					2	Screw, #6-19 X 1/4" Lg.
					1	Shock Hazard Warning Label
					1	TQO Universal Overlay/International
					1	Purchase/Cleaning Instructions/3M 94 Primer
					4	Screw/#6-32 X 3/8 Lock Patch/Ph
					4	Screw, #8-18 X 3/4" Lg.
					4	Foot
					4	Screw, #4 Plastite X 3/8 Lg.
					1	Hole Plug, Heyco (Used With In-Counter Units Only)
2	015370	\$23.65	\$10.11	Memory Cable	1	Memory Cable
					1	Screw, #4 Plastite X 3/8 Lg.
					1	External Tooth Lock Washer
3	015286	\$53.56	\$22.90	Grill & Shield Assembly	1	TQO Back Grill
					2	#4-40 Locknut/Hex/
					1	H2o Shield
					2	Screw, #4-40 X 3/8" Lg.
					2	Washer #4
					4	Screw, #4 Plastite X 3/8 Lg.
4	015311	\$402.92	\$172.25	TQO 220V-240V Motor Assembly	1	Motor Assy/3Hp/220V - 240V/Quiet BLS
					1	Magnet Ring
					1	2.25" Cooling Fan
					1	Jumper Wire / Green / BLS
					1	Screw #8-32X3/8 Lg Hex Hd/Ground/Green
					1	BLS On/Motor Gasket/Molded
					1	Thermal Sensor
					1	Insulator Tape 1" 240V P248 12085 Ha (Tan)
					1	Insulator Tape-Teflon #T3505s38
					1	Gray Jumper/Brush To Power Switch
					1	Purple Jumper/Brush To Thermal Protect
					1	Thermal Protector
					2	Wire Tie/Stanyl
					1	Hall Effect Sensor
					1	Hall Effect Clip
2	4" Cable Tie #T18r9m4					
1	Screw/#10-24 Type Tx3/8 Hex Hd/Slotted/Zinc/Tc					
4	Screw #10-24X1/2 Lg/Ss/Pan Hd Phil					
5	015288	\$216.61	\$92.60	Casting Assembly	1	TQO Universal Top Motor Casting
					1	Donut Warning Sticker
					1	TQO Universal Top Motor Plate Gasket
					1	TQO Motor Donut Gasket
					4	#8-32 X 7/8 Screw

Kit Item Ref. #	Kit #	List Price	Distributor Price	Kit Name	Qty./Kit	Part Name (Description)
5	015288	\$216.61	\$92.60	Casting Assembly	4	Washer
					2	External Tooth Lock Washer
					4	Motor Mount Grommet
					4	Spacer
6	015312	\$682.18	\$291.63	TQO 220V-240V Display Board	1	TQO Display/Emi Filter/220V-240V
					1	TQO Universal Overlay/ International
					4	Screw/#6-32 X 3/8 Lock Patch/Ph
					1	Purchase/Cleaning Instructions/3M 94 Primer
7	015411	\$182.46	\$78.00	TQO Universal Overlay / International	5	TQO Universal Overlay/ International
					1	Purchase/Cleaning Instructions/3M 94 Primer
8	015291	\$58.25	\$24.90	Motor Shroud Assembly	1	Intake Air Foam
					1	Motor Shroud
9	015292	\$122.05	\$52.17	TQO Lower Housing Assembly	1	Lower Housing Belly Foam
					1	Base Housing Foam
					1	TQO Universal Lower Housing
					4	Screw, #8-18 X 3/4" Lg.
					4	Foot
10	015293	\$36.91	\$15.78	Quiet Foam Kit	1	Intake Air Foam
					1	Lower Housing Belly Foam
					1	Base Housing Foam
11	015294	\$34.28	\$14.65	TQO Universal Hardware Kit	2	Screw, #6-19 X 1/4" Lg.
					2	#4-40 Locknut/Hex/
					2	Screw, #4-40 X 3/8" Lg.
					2	Washer - #4
					5	Screw, #4 Plastite X 3/8 Lg.
					1	External Tooth Lock Washer
					4	#8-32 X 7/8 Screw
					6	Washer
					4	Motor Mount Grommet
					4	Spacer/SR BLSA
					4	Screw/#6-32 X 3/8 Lock Patch/Ph
					3	4" Cable Tie
					4	Screw, #8-18 X 3/4" Lg.
					4	Foot
2	Screw, #10-24 X 1/2" Lg.					
1	Hole Plug, Heyco (Used With In-Counter Units Only)					
12	015107	\$40.28	\$17.22	Quiet BLS Isolation Gasket Kit	1	Isolation Gasket
13	015296	\$10.88	\$4.65	On/Off Circuit Breaker Switch	1	Circuit Breaker Switch
14	015579	\$18.88	\$8.07	Centering Pad	1	Centering Pad
					1	Centering Pad Installation Instructions
15	000891	\$15.67	\$6.70	Drive Socket Kit	1	Drive Socket Assembly
					1	Allen Wrench 5/64" Long Arm (P/N 51-005)
					1	Drive Socket Replacement Instructions
16	015082	\$295.79	\$126.45	TQO Back Cover Only	1	TQO Universal Back Cover-Drs

Kit Item Ref. #	Kit #	List Price	Distributor Price	Kit Name	Qty./Kit	Part Name (Description)	
17	015081	\$206.20	\$88.15	TQO Door Only (w/Handle)	1	TQO Door	
					1	Handle/Top Cover	
					2	Screw, #10-24 X 1/2" Lg.	
					2	Washer	
18	015080	\$462.98	\$197.93	TQO Sound Enclosure Assembly Complete	1	TQO Universal Back Cover-Drs	
					1	TQO Door	
					1	Handle/Top Cover	
					2	Screw, #10-24 X 1/2" Lg.	
					2	Washer	
19	015990	\$120.84	\$51.66	Advance Blade Assembly	1	Advance Blade Assembly	
					1	Blade Removal & Replace Sheet	
20	015585	\$37.76	\$16.14	Light Weight Retainer Nut	1	Retainer Nut Assy / Light Weight / Teflon	
21	015985	\$46.57	\$19.91	Advance Container Lid & Plug Assembly	1	Advance Lid & Plug Assy/Pc	
22	015978	\$207.44	\$88.68	Advance Container: (48oz /1.4L Adv with Blade, Lid & Plug)	1	Advanced Container/Pc/48Oz	
					1	Adv Blade Assy / Grease	
					1	Retainer Nut Assy / Light Weight / Teflon	
					1	Advance Lid & Plug Assy/Pc	
23	015979	\$170.40	\$72.84	Advance Container: (48oz /1.4L Adv with Blade, No Lid)	1	Advanced Container/Pc/48Oz	
					1	Adv Blade Assy / Grease	
					1	Retainer Nut Assy / Light Weight / Teflon	
24	015980	\$67.92	\$29.03	Advance Container: (48oz /1.4L Adv Container Only)	1	Advanced Container/Pc/48Oz	
25	015778	\$30.18	\$12.90	BLS On/Motor Gasket/Molded	1	BLS On/Motor Gasket/Molded	
26	015326	\$33.26	\$14.22	TQO 220V-240V On-Counter International Power Cord Kits	1	British Cord	
	015327	\$55.89	\$23.89			Israeli Cord	
	015328	\$33.78	\$14.44			Australian Cord	
	015329	\$44.78	\$19.15			South African Cord	
	015330	\$64.37	\$27.52			Denmark Cord	
	015331	\$52.53	\$22.46			Swiss Cord	
	015332	\$27.51	\$11.76			Shucko Cord	
	015333	\$53.07	\$22.69			Italian Cord	
	015334	\$55.87	\$23.89			Argentina Cord	
	015335	\$30.73	\$13.14			Chinese Power Cord	
	015336	\$35.43	\$15.15			Brazilian Power Cord / Type B	
	015337	\$29.54	\$12.63			Brazilian Power Cord / Type J	
	015372	\$28.66	\$12.25			Korean Cord	
							1
						2	Wire/Cb Jump/Black/15"
				2	Fl/Crimp Connector/18X3		
				1	4" Cable Tie		
				1	Strain Relief/Universal/White		
27	015338	\$43.60	\$18.64	TQO On-Counter Philippine Power Cord Assy	1	Philippine Cord	
					1	Wire/Ground Duplex Jumper/18Awg X 10"Lg	

Kit Item Ref. #	Kit #	List Price	Distributor Price	Kit Name	Qty./Kit	Part Name (Description)
27	015338	\$43.60	\$18.64	TQO On-Counter Philippine Power Cord Assy	2	Wire/Cb Jump/Black/15"
					2	Fl/Crimp Connector/18X3
					1	4" Cable Tie
					1	Strain Relief/Black
28	015403	\$48.00	\$20.50	Box Kit TQO On/In Counter - Individual  (Not for Starbucks EB blender)	1	Quiet Bls Box Inner
					1	Packaging Wedge
					1	TQO Insert Corrugated
					2	Insert W/Film
					2	Sorbothane Protector/10"X12" 4Mil Bag
29	015404	\$1,099.35	\$469.93	Box Kit TQO On/In Counter - Bulk Pack  (Not for Starbucks EB blender)	25	Quiet Bls Box Inner
					25	Packaging Wedge
					25	TQO Insert Corrugated
					50	Insert W/Film
					50	Sorbothane Protector/10"X12" 4Mil Bag
30	015406	\$97.00	\$41.50	TQO Universal Packaging Kit/Complete  (Not for Starbucks EB blender)	1	Tqo Box/Outer
					2	Quiet Bls Box Inner
					1	Packaging Wedge
					1	Tqo Insert Corrugated
					2	Container Packaging Foam
					4	Insert W/Film
					2	Sorbothane Protector/10"X12" 4Mil Bag