



Master Series Infra-Red Salamander Broiler

Item: _____
 Quantity: _____
 Project: _____
 Approval: _____
 Date: _____

Master Series Infra-Red Salamander Broiler

Models:

- MSR16 MSTSR16 MSRC MSTSRC

Infra-Red Broilers With Pull Out Broiling Rack



Model MSR16

Standard Features:

- Range Mount prefix R16 – stainless steel front, sides, backsplash, and bottom w/heat shield
- Counter suffix RC – stainless steel front sides, and top – C/W 4" (102mm) legs
- Fixed position broiling rack with flat or easy view tilt position, roll in, roll-out back
- Large capacity removable grease pan
- 1/2" NPT top gas inlet range and wall mount models. Rear gas inlet counter top models.

- Sentry flame failure protection, prefix MST
- Two (2) 14,000 BTU (4.10 kw) atmospheric infra-red burners, each controlled with Hi-Lo valve

Optional Features:

- Stainless steel main back.
- Stainless steel main bottom – RC Models
- Stainless steel main top –R16 Models
- Brackets for wall mounting and stainless steel bottom w/heat shield – RC Models
- Interconnecting gas piping for range mount

Specifications:

Range mount gas infra-red salamander broiler. Two 14,000 BTU (4.10 kw) atmospheric burners, each with a Hi-Lo valve. Fixed position, roll-in, roll out broiling rack with flat or tilt positions. 34" (864mm) wide x 18" (457mm) deep x 35-1/2" (902mm) high backguard to top of broiler housing. 16-1/4" (413mm) high broiler housing only. 28,000 BTU (8.20kw) total. Natural or propane gas. MST prefix models carry CE Mark for Europe.



PRODUCT	MSR16 & MSTSR16	MSRC & MSTSRC
Width: In(mm)	34(864)	34(864)
Depth: In(mm)	20-1/4(514)	20-1/4(514)
Height: In(mm)	35-5/8(965)	17(432)
INPUT:BTU/hr(kw)(Natural Gas)	28,000 (8.20)	28,000 (8.20)
Shipping Wt:(LB/KG)	200/91	170/77
Cu Ft	38.2	21

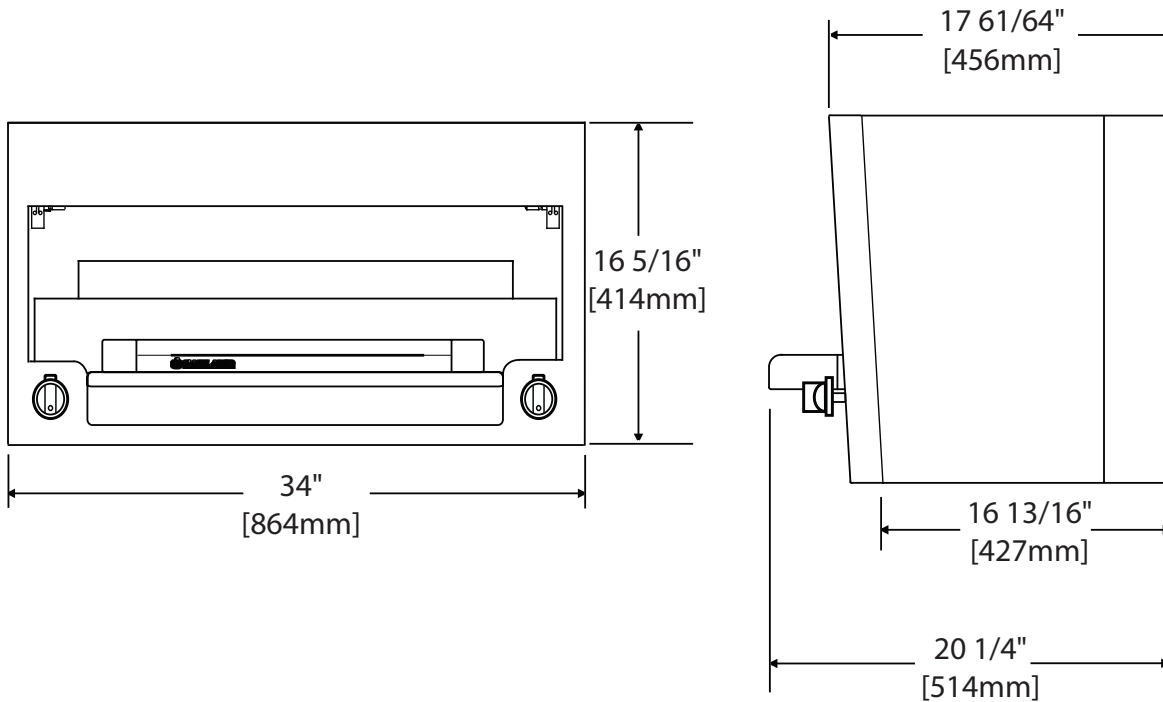
INSTALLATION NOTES		
Combustible Wall Clearances ¹	Entry Clearances	Manifold Operating Pressure
Sides: 0" Back: 0"	Crated: 26-3/4" (680mm) Uncrated: 21" (533mm)	Natural: 4" WC (10mbar) Propane: 10" WC (25mbar)

¹ For installations in non-combustible locations only

Gas input ratings shown here are for installations up to 2,000 ft. (610m) above seal level. Specify altitudes over 2,000 ft.

Garland/U.S. Range products are not approved or authorized for home or residential use, but are intended for commercial applications only. Garland / U.S. Range will not provide service, warranty, maintenance or support of any kind other than in commercial applications

Please specify gas type when ordering.



Form# MSRC16 (08/09/10)