

GARLAND GF36 SERIES

6 BURNER RANGE

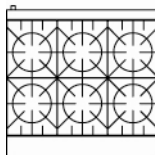
Gas restaurant series range with large capacity (standard) oven. 900mm wide, 686mm deep work top surfaces. Total flame failure protection for all burners. Stainless steel front, sides and 127mm wide front rail. 152mm legs with adjustable feet. Six Starfire-Pro 2 piece, 27mJ (natural gas), cast open burners set in split cast iron ergonomic grates. Griddle or optional hot-top with cast iron "H" style burners, 19mJ (natural gas), in lieu of open burners. One piece oven with porcelain interior and heavy duty, "keep cool" door handle. Heavy cast iron "H" oven burner rated 40mJ (natural gas) Oven controlled by even bake, fast recovery snap action modulating oven thermostat. Available with convection oven or as a modular top in lieu of standard oven.



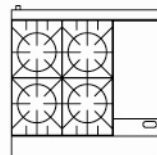
STANDARD FEATURES

- Spark ignition on all concealed burners (open top burners manual ignition)
- Stainless steel front and sides, stainless steel 127mm plate rail
- 300mm section stamped drip trays w/dimpled bottom
- Flame failure protection: all burners
- Large 686mm work top surface
- Stainless steel low profile back guard
- 152mm adj. stainless steel legs
- Large easy-to-use control knobs
- Gas regulator
- 3/4" Gas Connection

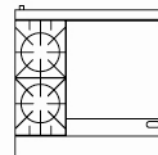
GF36-6R



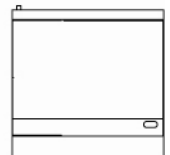
GF36-4G12R



GF36-2G24R



GF36-G36R



OPTIONAL FEATURES

- Additional oven racks
- Flanged deck mount legs
- Grooved griddle in 1/2 or full plate section widths
- 300mm plate hot top in lieu of 2 open burners, manual valve controlled w/19mJ cast iron "H" style burner standard on left side

SPECIFICATIONS ARE SUBJECT TO CHANGE WITHOUT NOTICE.

From the world of Comcater!

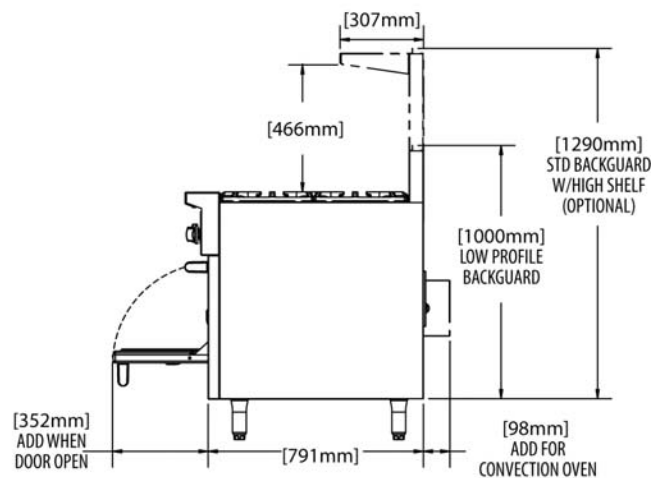
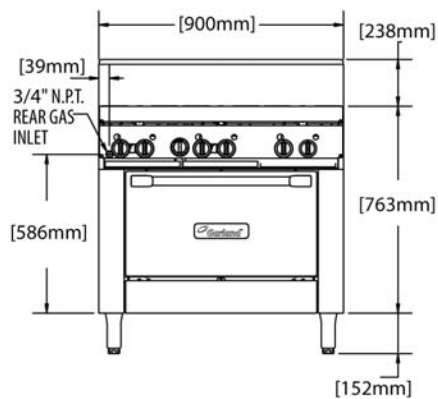
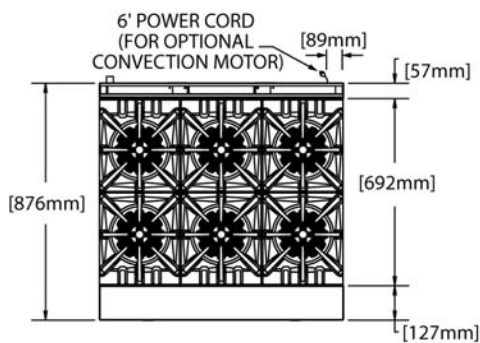
National Head Office
156 Swann Drive
Derrimut VIC 3030
Tel: +61 3 8369 4600
Fax: +61 3 8369 4695

Melbourne
96-100 Tope Street,
South Melbourne VIC 3205
Tel: +61 3 8369 4600
Fax: +61 2 8699 1299

Sydney
20/4 Avenue of the Americas
Newington, NSW 2127
Tel: +61 2 9748 3000
Fax: +61 2 9 648 4762

Brisbane
1/62 Borthwick Avenue
Murarrie QLD 4172
Tel: +61 7 3399 3122
Fax: +61 7 3399 5311

GARLAND GF36 SERIES



DIMENSIONS

External Dimension: 900W x 876D x 915 mm

Oven Interior : 667W x 660D x 330H mm

TECHNICAL DATA

Gas Type	Natural or LP
Total Energy Rating	204mj (GF36-6R) 133mj (GF36-2G24R) 159mj (GF36-4G12R) 97mj (GF36-G36R)
Burner Ratings (Natural)	27mj (Open Burner) 19mj (Griddle/Hotplate) 40mj (Oven)
Burner Ratings (LP)	27mj (Open Burner) 19mj (Griddle/Hotplate) 33mj (Oven)
AGA Approval Number	7455

SPECIFICATIONS ARE SUBJECT TO CHANGE WITHOUT NOTICE.